

BUTT JOINING WITH STOP CLIPS

Traditional hardwood decking is often installed using random butt joints. Due to the thermal movement that occurs in composite decking, butt joints are often not appropriate as the impact of this movement is effectively doubled. We strongly discourage the use of butt joints when using our decking.

However, if butt joining is an absolute must have, then we can offer a compromised solution through the use of 'Stop' Clips.

These clips help to stop the thermal movement at the ends of the boards, meaning staggered butt joints are a feasible option in certain situations.

See diagrams below to help understand how the stop clips work.

NOTE: Only one stop clip is to be used per board, creating a maximum of one butt joint per run of decking.

Fig. 1. How to fix using stop clips

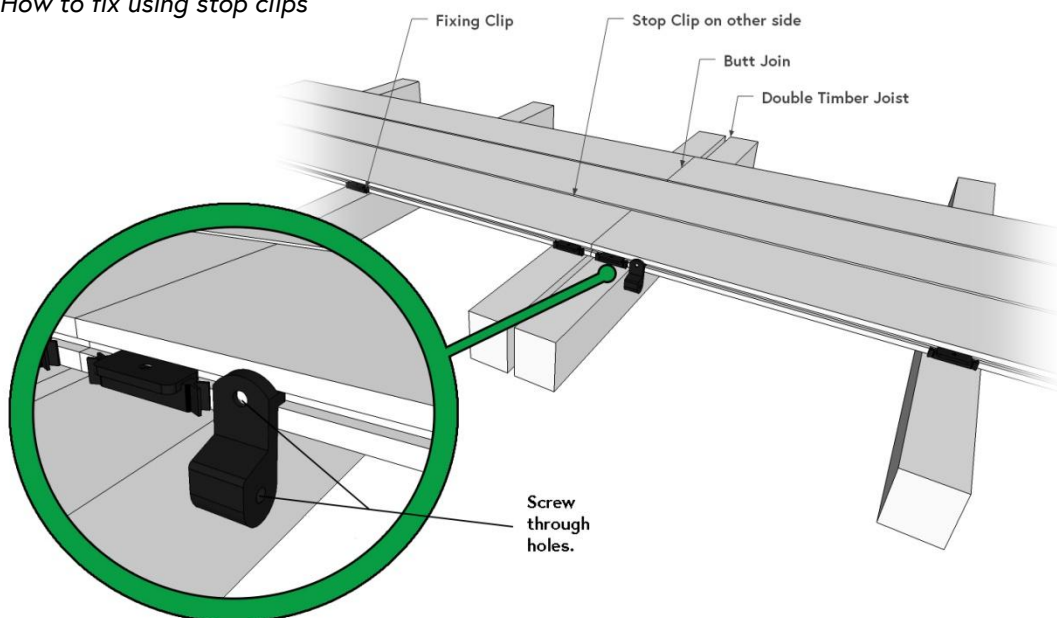


Fig. 2. Where to fix using stop clips

